

## **Rationale**

---

Arnold van Ardenne will retire in the spring of 2013. To mark his 65th birthday ASTRON organizes a one day symposium "Reinventing Radio-Astronomy: Technologies that made a Difference" on May 29th, 2013.

Olson 1957

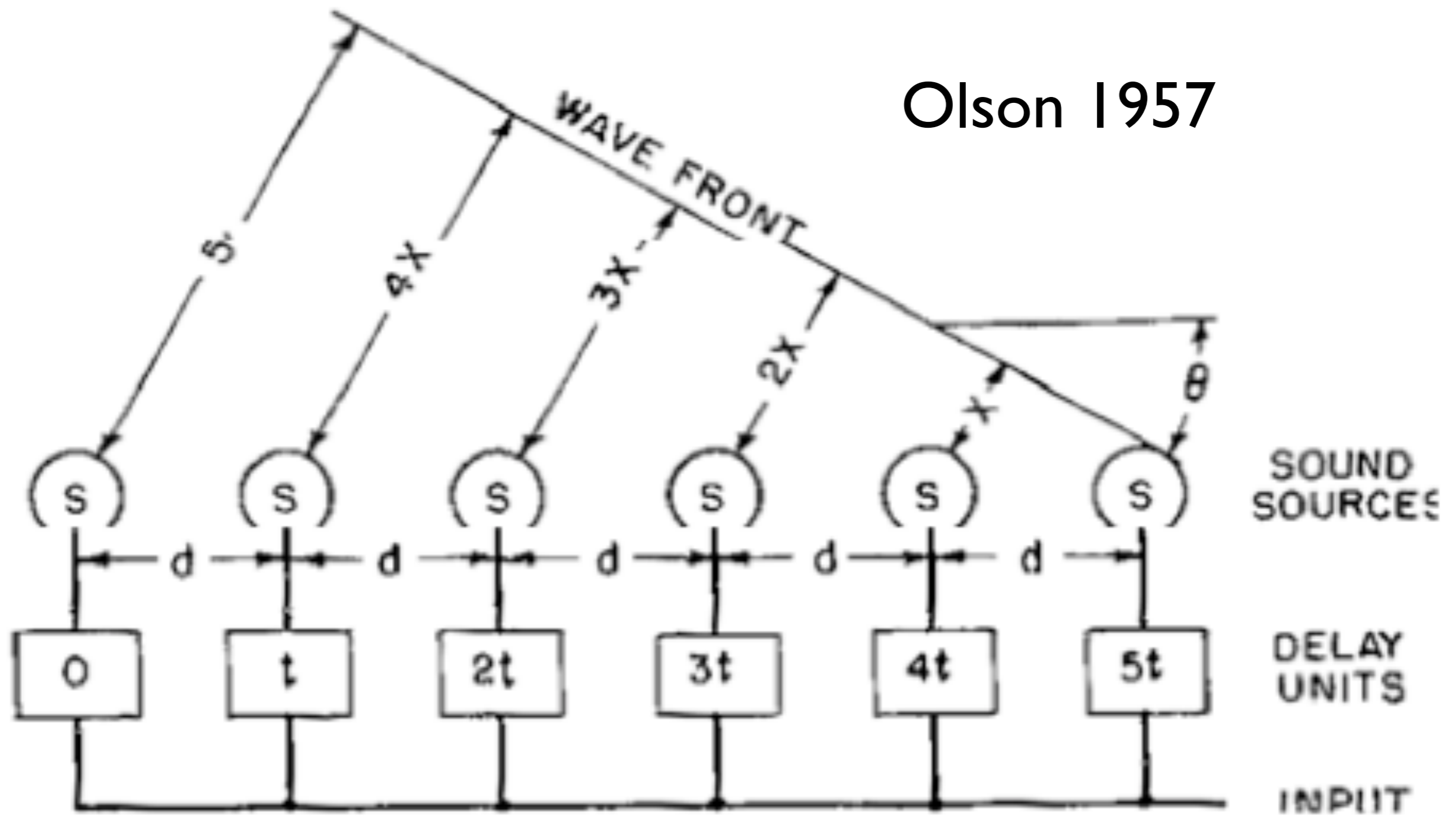


FIG. 2.5. A delay system for tilting the directional characteristic of a line of sound sources

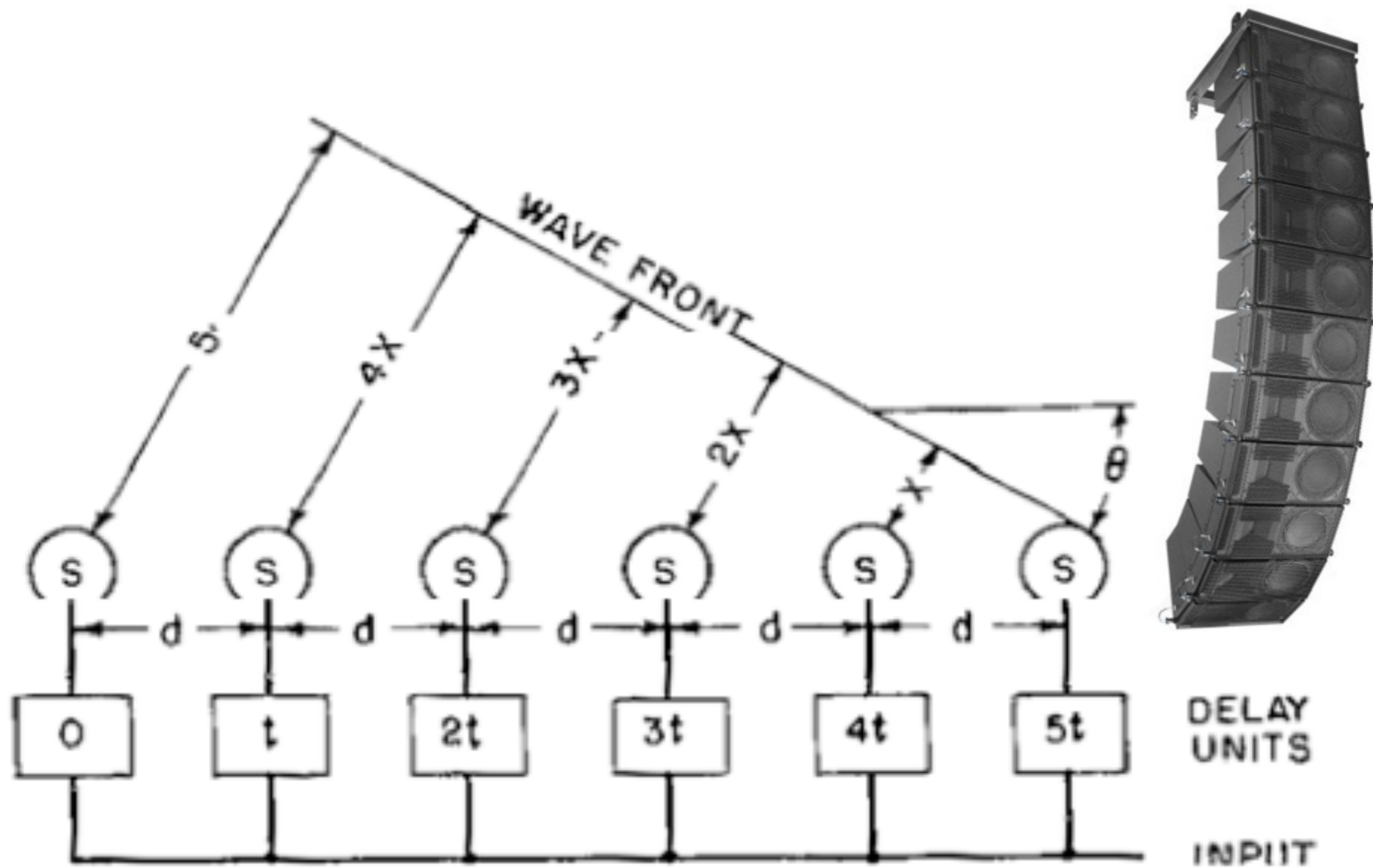


FIG. 2.5. A delay system for tilting the directional characteristic of a line of sound sources

