



# PL612 – Bałdy / Poland

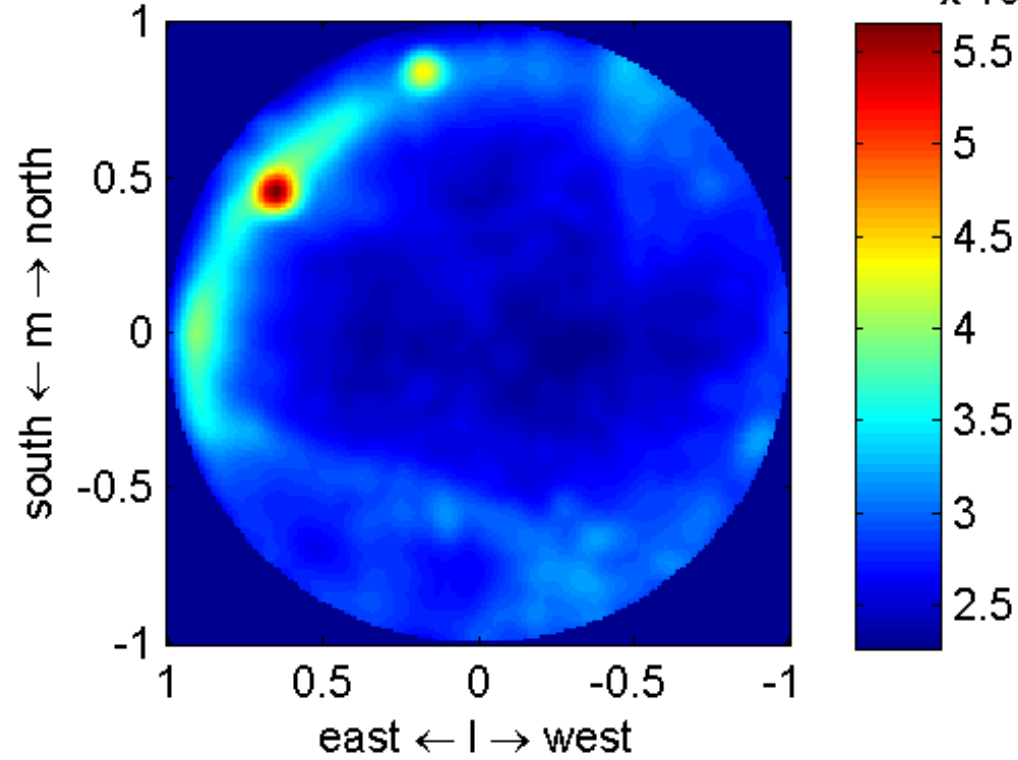
Andrzej Krankowski, Leszek Błaszkiwicz, Bartosz Dąbrowski

Space Radio-Diagnostics Research Centre  
University of Warmia and Mazury in Olsztyn

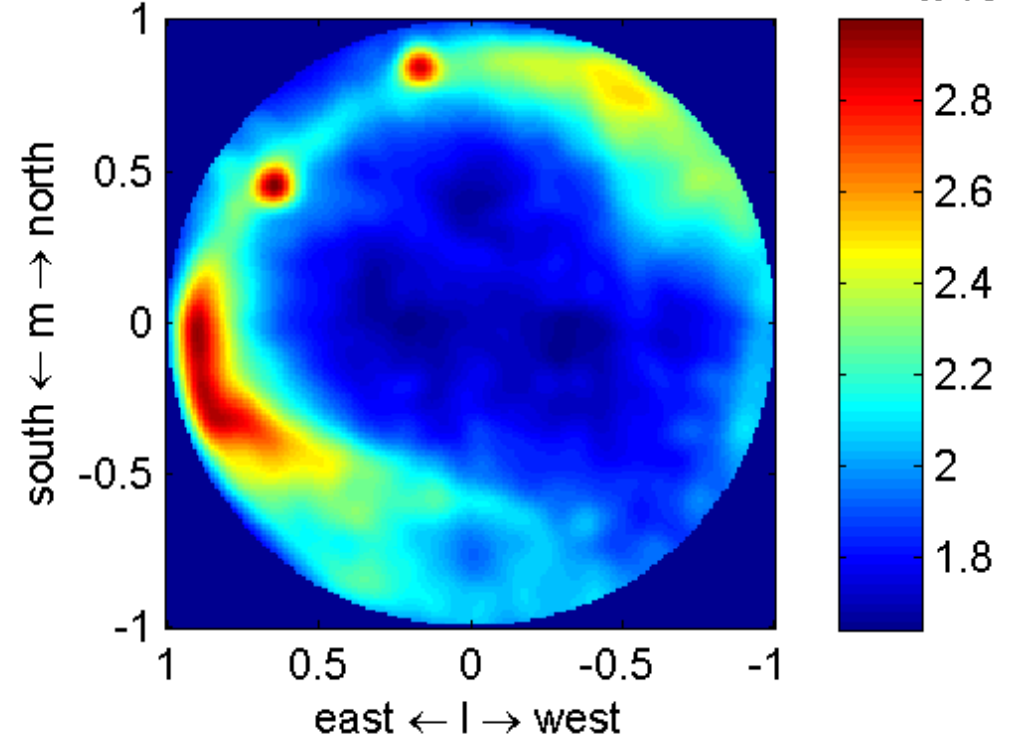
# FIRST LIGHT

PL612 – Bałdy / Poland

PL612 LBA-Y subband = 256 (20150819 151220)  $\times 10^9$



PL612 LBA-X subband = 256 (20150819 151220)  $\times 10^9$



# THE LOFAR STATION BALDY



ASTRON  
@th  
STRATEGIC HOLDINGS



# THE LOFAR STATION BALDY



There is **100 000<sup>th</sup>** dipol  
of the LOFAR telescope  
inside of this tile



POLFAR  
LOFAR



W tym panelu  
uloowano **100 000.** dipol  
radioteleskopu LOFAR

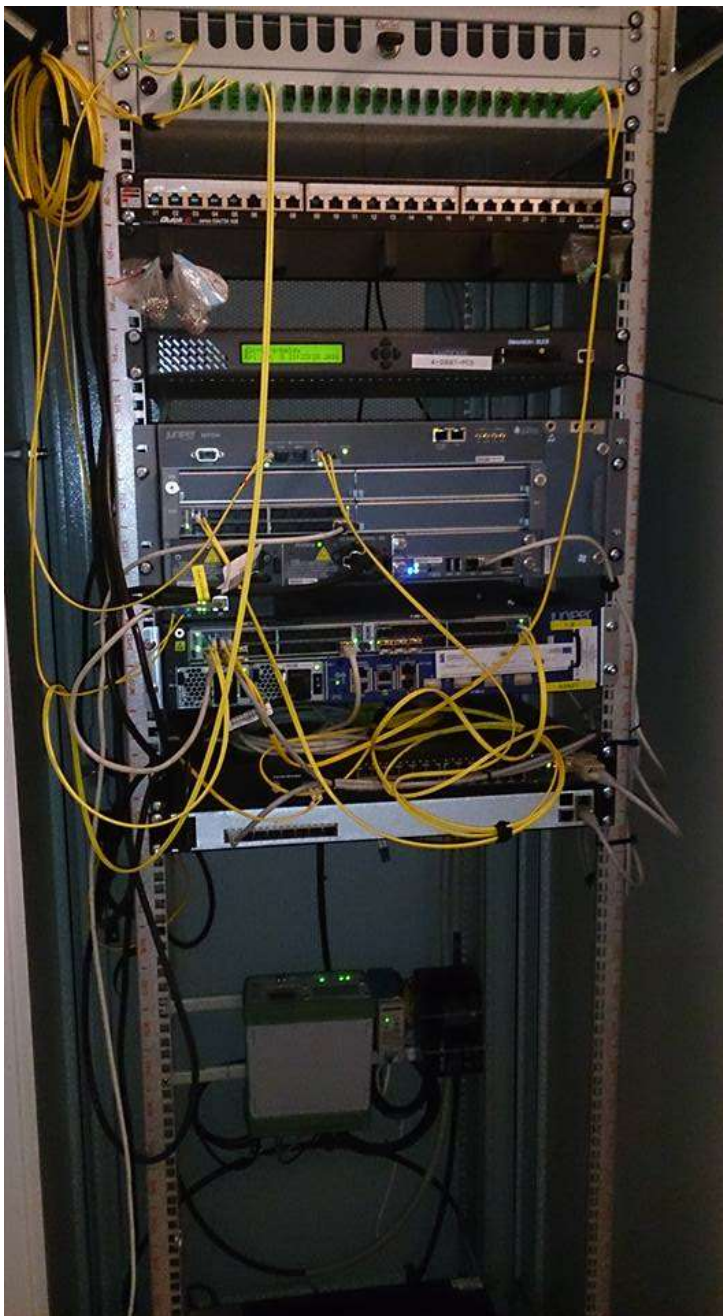


POLFAR  
LOFAR

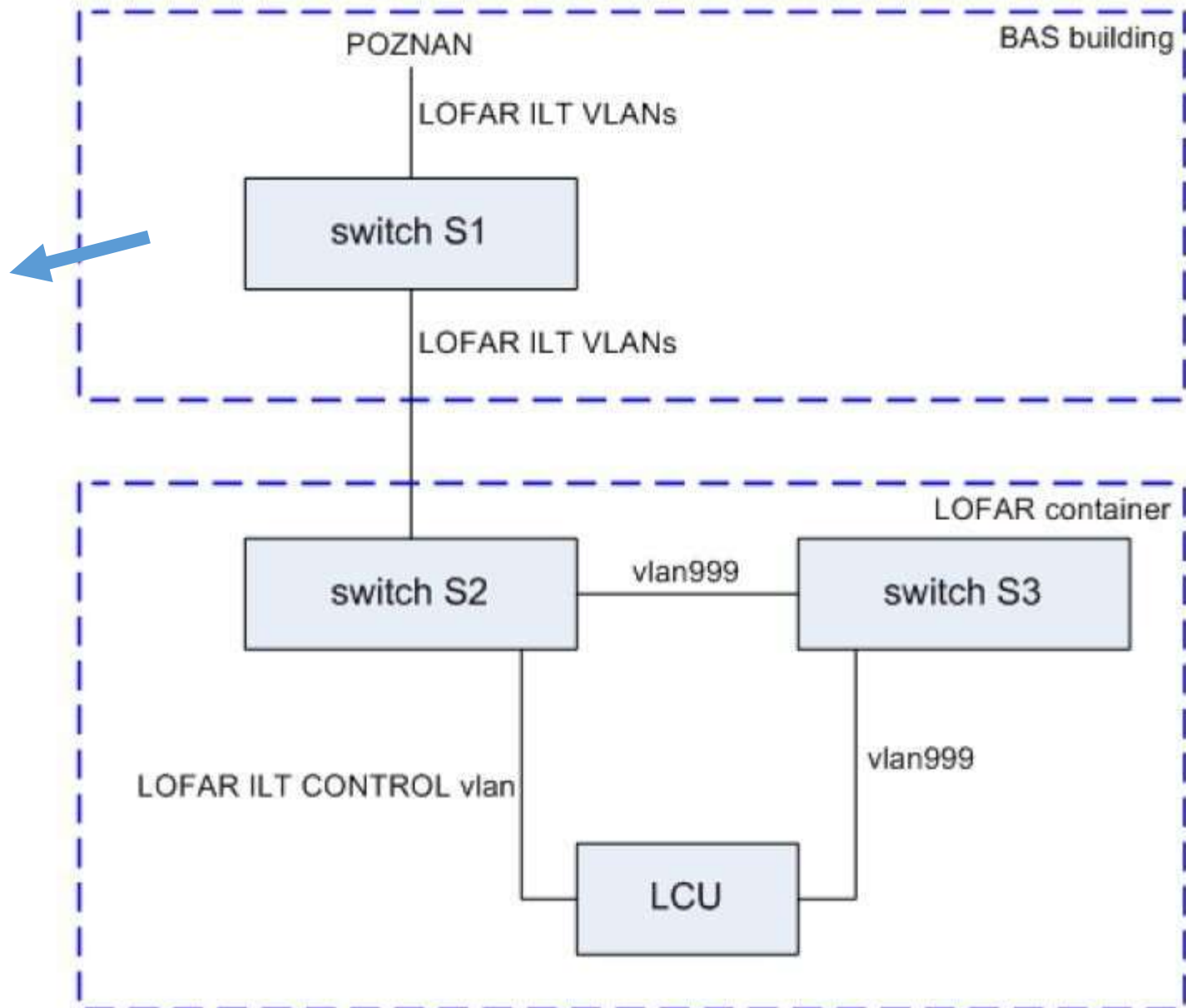


# THE LOFAR STATION BALDY

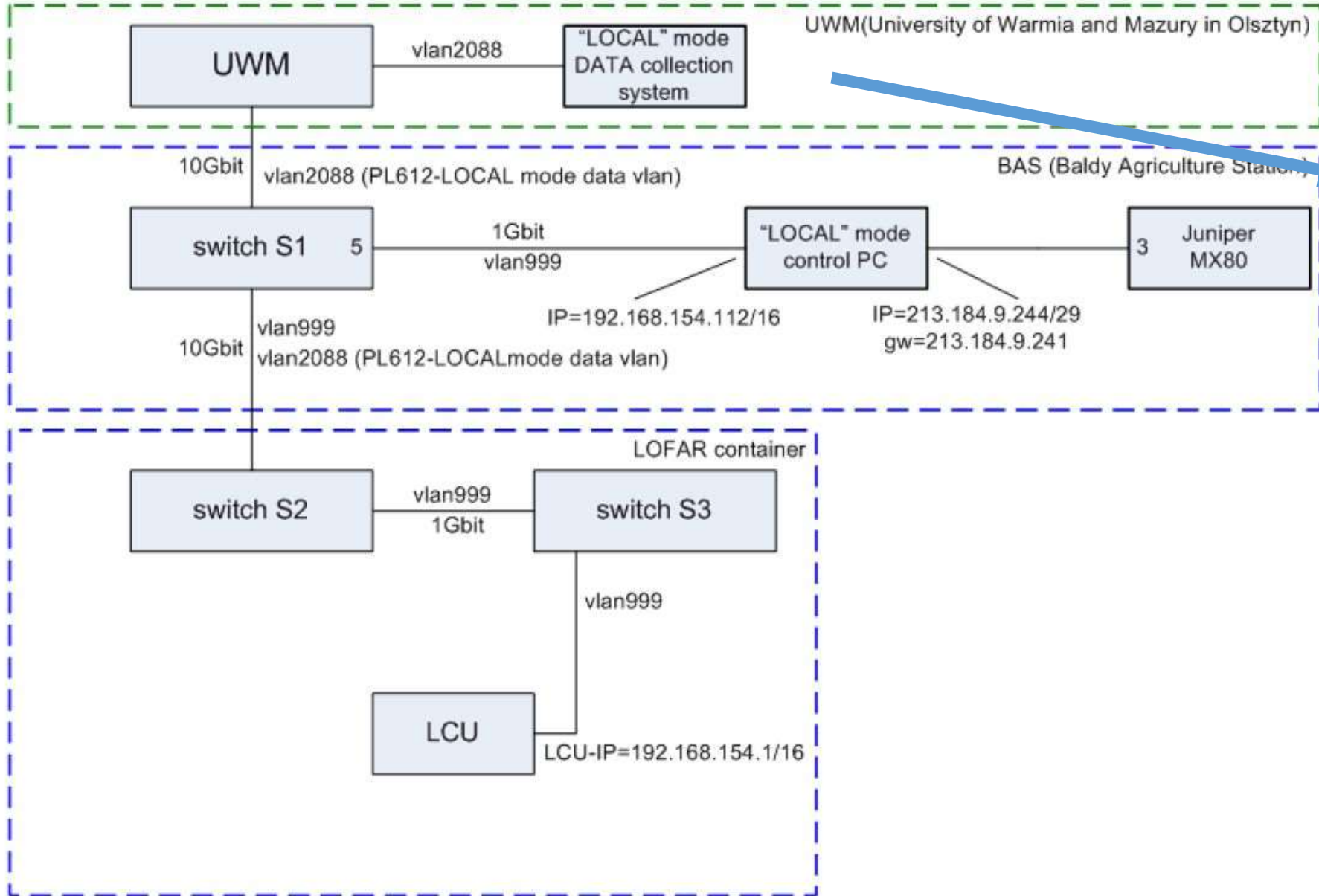


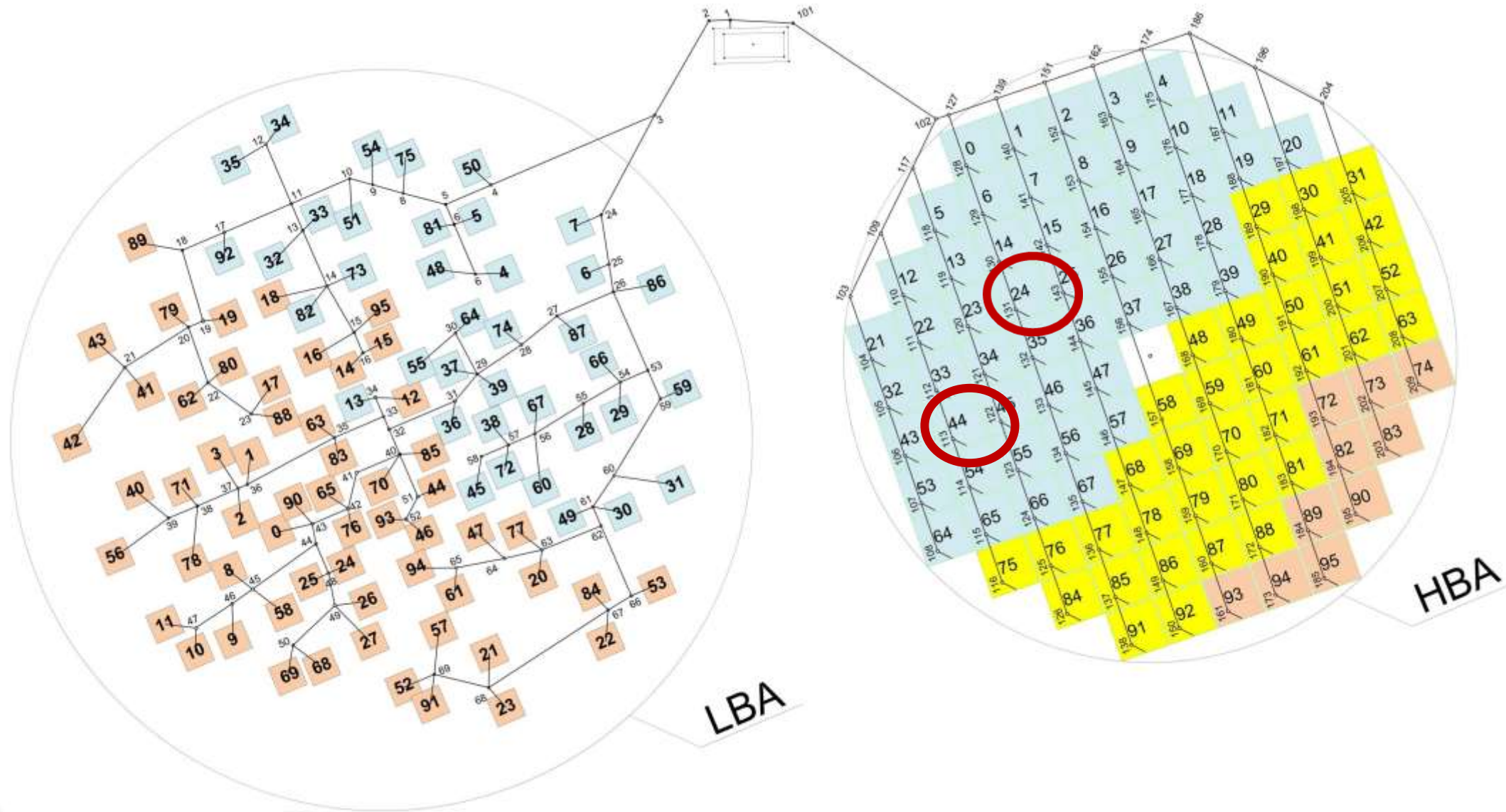


# PL612-Baldy running in ILT mode



# PL612-Baldy running in LOCAL mode





Some troubles with tiles no 24 and 44 (they are switched off now). I will try to check and fix it after back to Poland.



Most actual view of PL612 – pitrures made week ago



Uncle Google is watching us yet 😊



2010 Data uzyskania obrazu: 10/10/2015 53°35'36.60"N 20°35'23.03"E wys. 142 m wysokość punktu widzenia 36

© 2016 Google  
Image © 2016 CNES / Astrium

Google earth

# Close future prospects connected to technical matters:

- Test observations of PSRs (start in 2-3 weeks)
- Starting works on station's on-line status monitoring system
- Begin of colaboration with Solar and Space Weather KSP
- Real time, online TEC maps for ILT (in progres)