

## International LOFAR Telescope Technical Operations Meeting April 2011

ILTO 2011-04-11  
*Harm Munk*

# Agenda



- Monday, April 11
  - 12:30 - 13:30 Lunch
  - 13:30 - 15:00 Meeting
  - 15:00 - 15:30 Coffee break
  - 15:30 - 16:00 Visit control room (ROCR)
  - 16:00 - 17:30 Meeting
  - 18:30 - .. : ..Dinner at Hotel Wesseling

# Agenda



- Tuesday, April 12
  - 09:30 – 10:00 explanation of L/HBA repairs workshop
  - 10:00 – 11:30 workshop
  - 11:30 – 12:30 Wrap up
  - 12:30 – 13:30 Lunch, end of meeting

## ■ Participants

Benedetta Ciardi	Garching/Unterweilenbach, DE (EVO)
Leif Helldner	Onsala, SE
Tobia Carozzi	Onsala, SE
Meike Jahn	Jülich, DE
Enno Middelberg	Jülich, DE
Mathias Hoeft	Tautenburg, DE (EVO)
Derek Mckay-Bukowski	Chilbolton, UK (EVO)
Christian Vocks	Potsdam, DE
Andreas Horneffer	Effelsberg, DE
James Anderson	Effelsberg, DE
Masaya Kuniyoshi	Effelsberg, DE
Antonis Polatidis (head supp. sci.)	ASTRON, NL
Menno Norden (sys. eng.)	ASTRON, NL
Teun Grit (sys. & nw admin)	ASTRON, NL
Harm Munk (head TO)	ASTRON, NL
Henri Meulman (hw engineer)	ASTRON, NL
Corina Vogt (LOFAR coordination)	ASTRON, NL

## Open meeting

- Discuss operations structure and processes for the International LOFAR Telescope (ILT)
  - Maintain an operational ILT from
    - 9 owners owning 44 stations
    - connected through a network run by ~10 providers
    - data processed at the CIT (Centre for Information Technology) of the Groningen University
    - data stored in Amsterdam, Groningen, and Jülich coordinated by ASTRON's Radio Observatory
  - Maintain the ILT components
- Discuss station construction and maintenance, exchange experience

# Topics



- Developments last year
- Organisation
- Station maintenance
- Station operation
- Organisation and information exchange

# Developments



- Stations built last year
  - Dutch
    - 4 extra core stations: CS011, 013, 028, 031
    - 2 planned remote stations: RS406, 508
  - International
    - DE603 HBA
    - DE604 HBA
    - DE605 HBA (LBA to be build)
    - FR606
    - UK608

# Developments



- Network
  - All but two NL stations connected: RS508, 509
  - DE604, DE605 no CEP connection
- Issues



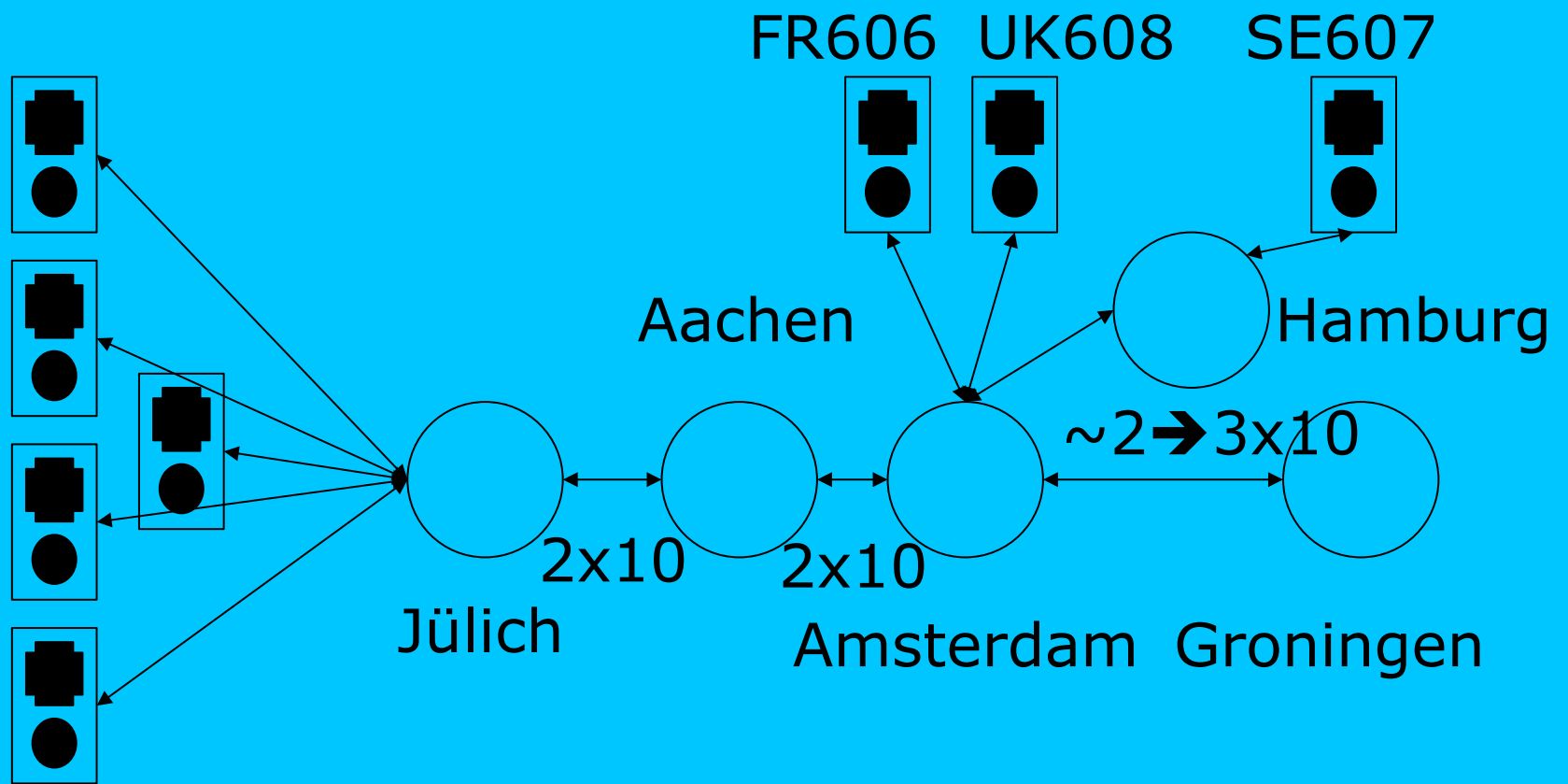
# Developments



- Stations to be built
  - Dutch
    - Seven remote stations to be build
  - International
    - SE607 Onsala
    - DE60? Bielefeld?
    - PL61?
    - IR61?
- Network
  - Two extra 10 Gb/s lines Amsterdam Groningen
  - One extra 10 Gb/s line Aachen Amsterdam

# Developments

- Simplified Network topology

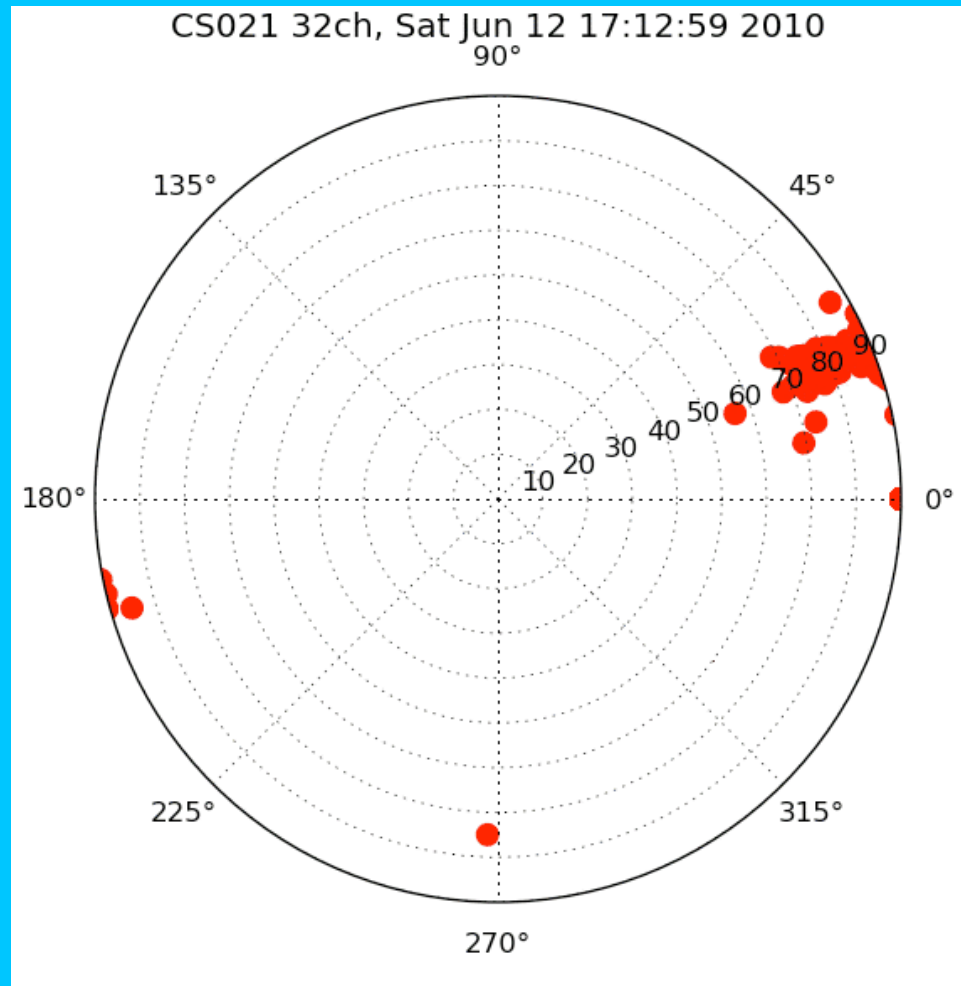


DE601..605

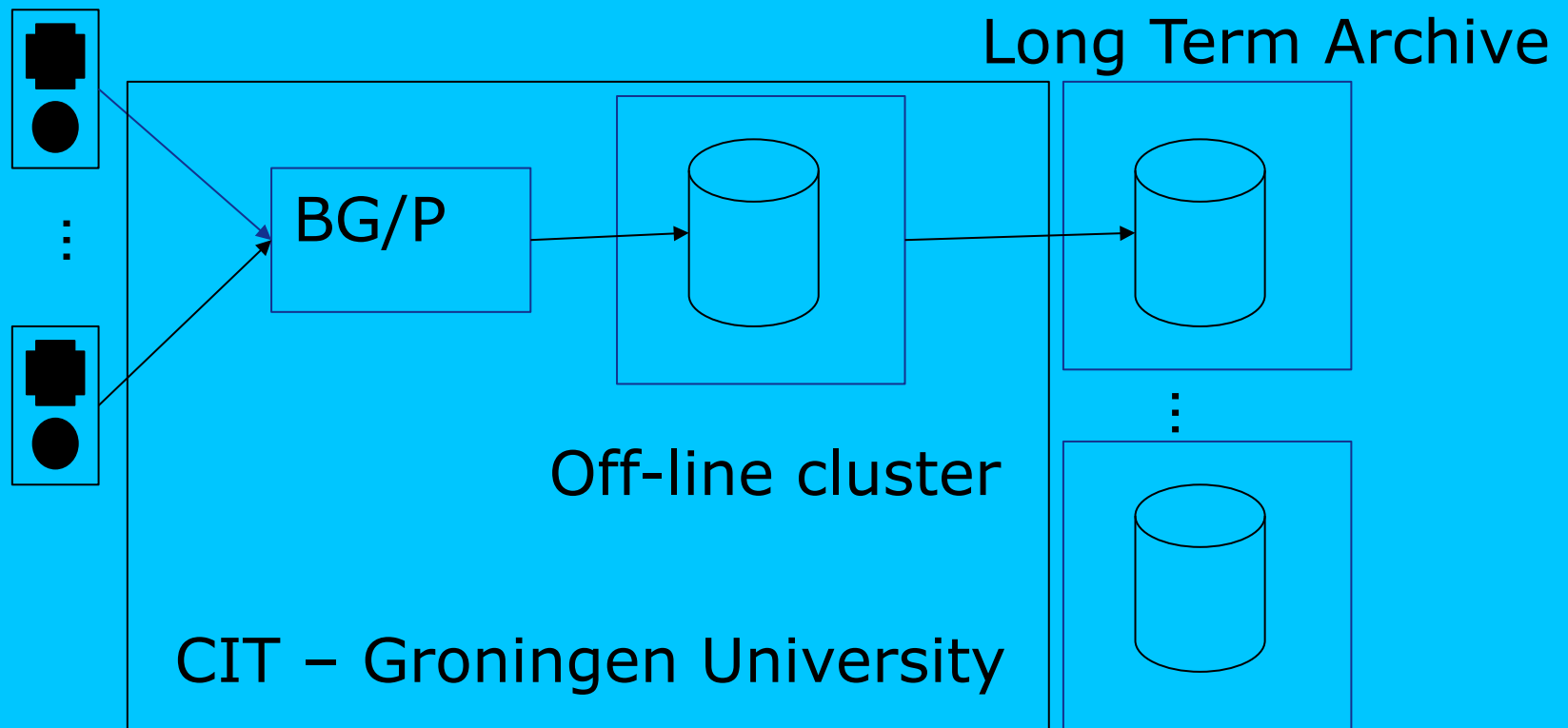
June 12, 2011



June 12, 2011



## Simplified Central Processing setup (CEP)



# Developments: CEP



- CEP off-line cluster
  - CEP I off-line cluster
    - 24 storage node, 480 TB total
    - 72 compute nodes, 5 TFLOPS total
  - CEP II off-line cluster
    - 100 storage+compute nodes, 2 PB, 20 TFLOPS total
    - Production: expected availability April 15
  - CEP I restructuring
    - Staging area for Long Term Archive (LTA)
    - SW development



## Developments: LTA, misc.



### Long Term Archive (Sky $\neq$ Archive)

- Three sites:
  - Amsterdam (SARA: BiG Grid): 0.3/1 PB
  - Groningen (TarGet project): 1/3 PB
  - Jülich: 0.5/1 PB
- Storage and pipeline processing
- Superterp single clock
  - Plans to put all core stations on a single clock

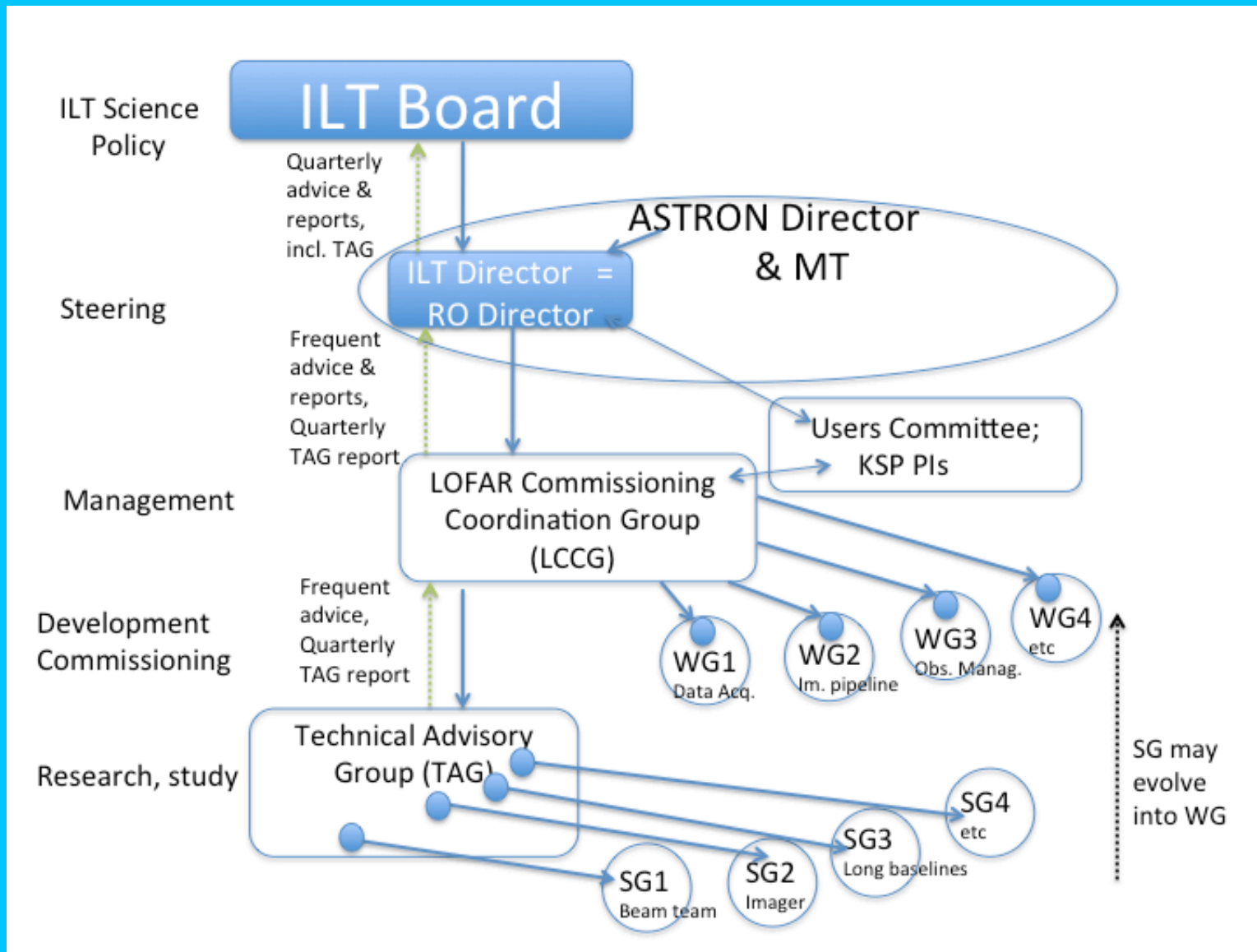
# Organisation



- **ILT**
  - **Partners**
    - **NL, DE, SE, UK, ASTRON**
    - **LOFAR CV (partnership with managing and silent partners)**



# Organisation



## LOFAR Commissioning Coordination Group

Charter: day-to-day lead to ensure that in the most expedient way possible, people at ASTRON work together and with others in the community towards the long-term goal of deploying LOFAR as an observatory-style facility, with an optimal range of functionality for long-term scientific productivity

- Michael Wise (ASTRON astronomy department)
- Ronald Nijboer (ASTRON R&D, SW development group)
- Antonis Polatidis (ASTRON Radio Observatory, Science Support group)
- Harm Munk (ASTRON Radio Observatory, Technical Operations group)

# LCCG Groups



- Working Groups
  - SWIIT, OBMAN, DAC, DAQU, SYSTA, DAFO, COMUS
  - COSMICRAY, PULSAR, IMAGING, TRANSIENTS, MAGNETISM
- Study Groups
  - Polarization, Global Bandpass, Major Cycle, Ionosphere, Tied array beamforming, Long term clock, Beam Team, A-team removal, Imaging, Imager Roadmap, Sky models, Long Baselines, Cosmic Rays, Fire fighting, Solar, Transients

# Organisation: LOFAR station representatives



- Station representatives
  - organisational, day-to-day operations, technical support
- Day-to-day operations:
  - ILT TO page on LOFAR Wiki:  
<http://www.lofar.org/operations/doku.php>

# Organisation



	<b>Station</b>	<b>Fin. &amp; Org.</b>	<b>Operations</b>	<b>Support</b>
DE	Effelsberg	M. Kramer	James Anderson	
	Garching/ Unterweilenbach		Benedetta Ciardi	
	Tautenburg	A. Hatzes	Mathias Hoeft	
	Potsdam			
	Jülich		Meike Jahn	Enno Middelberg
FR	Nancay		Jean-Mathias Griesmeier	Ivan Thomas
SE	Onsala		Leif Heldner	Henrik Olofsson
UK	Chilbolton		Derek McKay	Alan Doo
NL	Dutch stations	R. Vermeulen	H. Munk	ROCR

# Station Maintenance



- Station maintenance NL
  - LBA damage
    - Small deer; rodents
    - Downed LBAs detectable through station test
    - Surprisingly immune to lightning (so far)

# Station Maintenance



- Station maintenance NL
  - HBA damage
    - Birds: damaged covers
    - Rodents: rubbers
    - Mice (occasionally)
    - Climatic effects
      - Moisture
      - High winds, in combination with low temperatures
  - Cable damage
  - Gras, weeds, etc

# Station Maintenance



- Outsourcing routine station maintenance and repair
  - 4 visits / station / year
  - 2 people: expert + technician
- In house specialised station trouble shooting and repair
  - Difficult problems, cause analysis
- Extra, quick inspection after adverse weather conditions:
  - High winds
  - Heavy precipitation
  - Low temperatures



# Station Maintenance



- International stations
  - Effelsberg
  - Tautenburg
  - Garching/Unterweilenbach
  - Potsdam
  - Jülich
  - Nancay
  - Onsala
  - Chilbolton

# Station Maintenance



- International Stations
  - Airconditioning unit: local maintenance
  - Container RFI cabin check: COMTEST
- Spare parts
  - Four extra stations have depleted spare parts stock
  - New production run: HBA FE quality issue
  - 5% spare parts a.s.a.p.
  - New production run for International stations (Germany, Poland, Ireland): extra spare parts based on experience
- Repairs
  - ASTRON, other ILT partners?

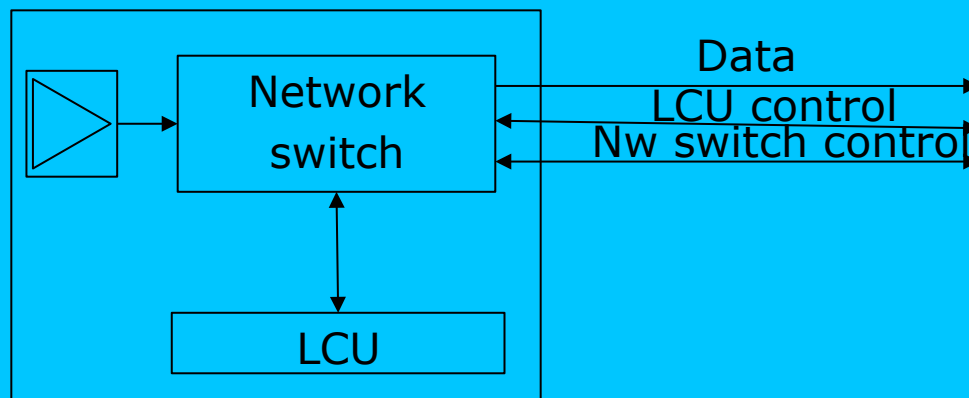
# Station Maintenance



- Warranty
  - On electric/electronic failures
  
- Station Tests
  - Weekly test, international stations included
    - Waiting for test (pilot) transmitter
    - Results to be available on [LOFAR web](http://lcs023.control.lofar/stationstatus/startup.html) (already in ROCR for Dutch stations): <http://lcs023.control.lofar/stationstatus/startup.html>
  
- The LOFAR handbook
  - Document or Wiki?

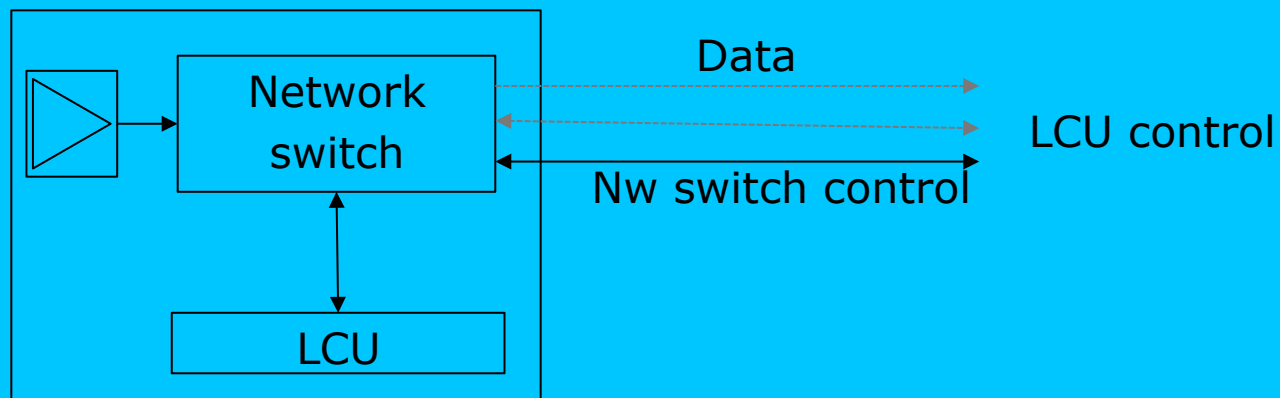
# Station Operation

- Observing : Maintenance = 90% : 10%
  - ILT mode : stand alone mode = 90% : 10% of 90%
    - Boils down to **9%** of time in stand alone mode
- Switching between stand alone and ILT mode



# Station Operation

- Observing : Maintenance = 90% : 10%
  - ILT mode : stand alone mode = 90% : 10% of 90%
    - Boils down to **9%** of time in stand alone mode
- Switching between stand alone and ILT mode: change in nw switch configuration



# Station Operation



- Switching to stand alone mode
  - LCU loses connection with CEP hosted nw control
  
- Switching to ILT mode
  - LCU kick starts: destroys local settings
    - Saved before kick start
  - Requires several hours for GPS-Rb clock synchronisation
  
- Switching is rather invasive: always send request by email to [lofar-observer@astron.nl](mailto:lofar-observer@astron.nl)

# Station Operation



- Regular observations: end of September 2011 (MS<sup>3</sup>)
- Scheduling stand alone mode
  - Control is always given away, never taken away
  - Stand alone mode preferably for all international stations at the same time
  - Extra time available during special observation not requiring international stations: not part of "9%"
- LOFAR observing schedule
  - On ASTRON website
  - ROCR white board:  
<http://www.lofar.org/operations/doku.php>

# Station Operation



- Monitoring
  - Container internal condition
    - Temperature
    - Humidity
    - Power supplies (48V)
    - Subrack fan's
  - Available on LCU
  - Application under development
- Alarm functions; people to inform, phone numbers/email addresses on LOFAR Wiki



# Station Operation



- 62/61 beamlets
  - RSP Firmware problem: not understood
  
- Network
  - Bandwidth limitations
    - 8 int. station =  $3 \times 8 = 24$  Gb/s
      - DE:  $5 \times 3 = 15$  GB/s, 3 Gb/s eVLBI: no room
      - SE:  $1 \times 3 = 3$  Gb/s, 3 Gb/s eVLBI: room for one
    - 30 Gb/s =  $30 / 3 = 10$  int. stations
    - Or use  $< 61$  beamlets

# Organisation, meetings



- Telco's
  - Station managers
    - monthly, preceding CEP stop day: 1<sup>st</sup> in week April 25-29
    - CEP stopdays: 1<sup>st</sup> Monday of the month
  - Weekly on observation schedule
    - From July
- Wiki
  - LOFAR Wiki: ROCR whiteboard
  - LOFAR Handbook
- Email exploders