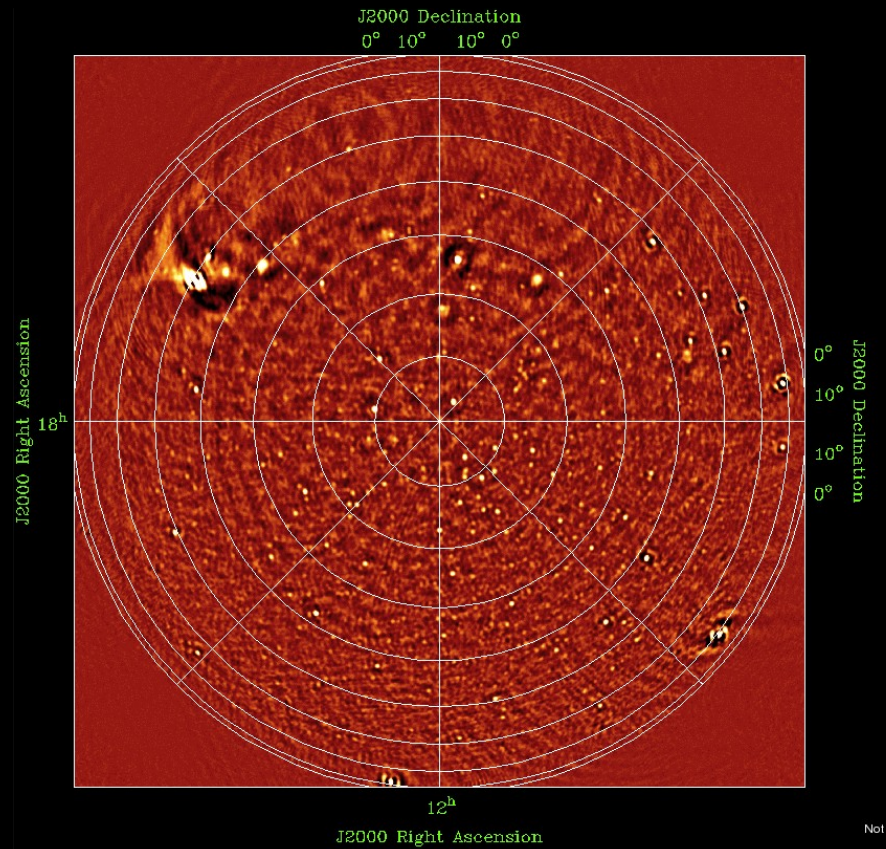


# LOFAR Roll Out


André W. Gunst



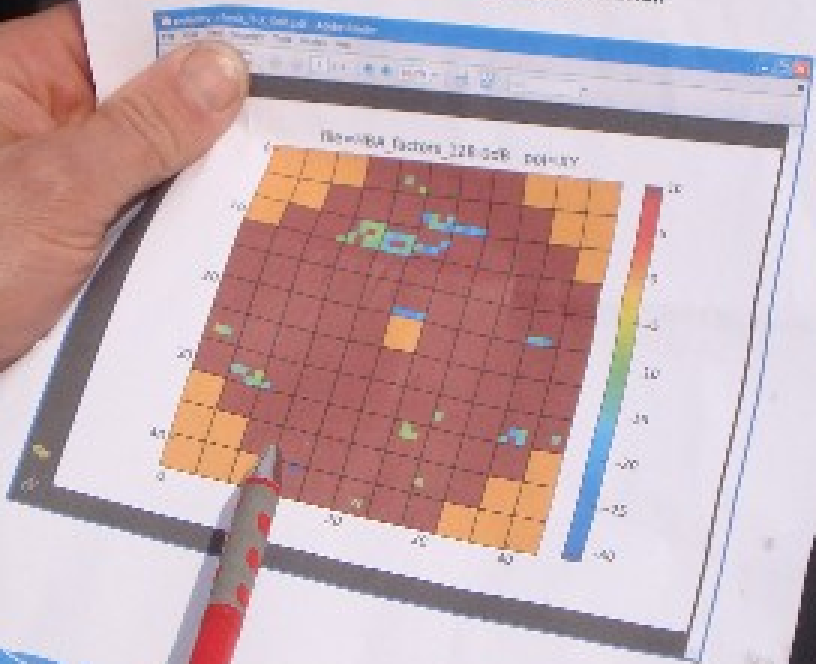
Station/Item	Cabinet	LBA	HBA	Fibre	CEP connection	Validated
CS302						
RS307						
RS503						
RS106						
RS208						
CS030						
CS401						
CS021						
CS032						
RS306						
CS301						
CS501						
RS509						
CS103						
CS001						
CS002						
CS003						
CS004						
CS005						
CS006						
CS007						
CS024						
CS201						
CS101						
CS026						
RS205						
CS017						
RS104						
RS210						
RS310						
RS404						
RS406						
RS407						
RS409						
RS410						
RS508						
Effelsberg						
Tautenburg						
Garching						
Potsdam						
Juelich						
Nancay						
Onsala						
Chilbolton						
Totals	31	28	25	29	29	22

- PPS lock issues on CS002, CS017, CS024 solved
- CS001 HBA back rotated
- Cable configuration not compensated correctly
  
- ITRF beamsolver done



Project Number	File of beam 2012 (v02)11E Kind of error: none	Beam: 1 (Horizontal) continuous Feeding Date: 11/08/2012 10:26:00 (UTC)	 LOFAR
	name: full_2012_11E	File: full_2012_11E	

HBA antenna element with possible faulty polarisations  
In the Tautenburg LOFAR station





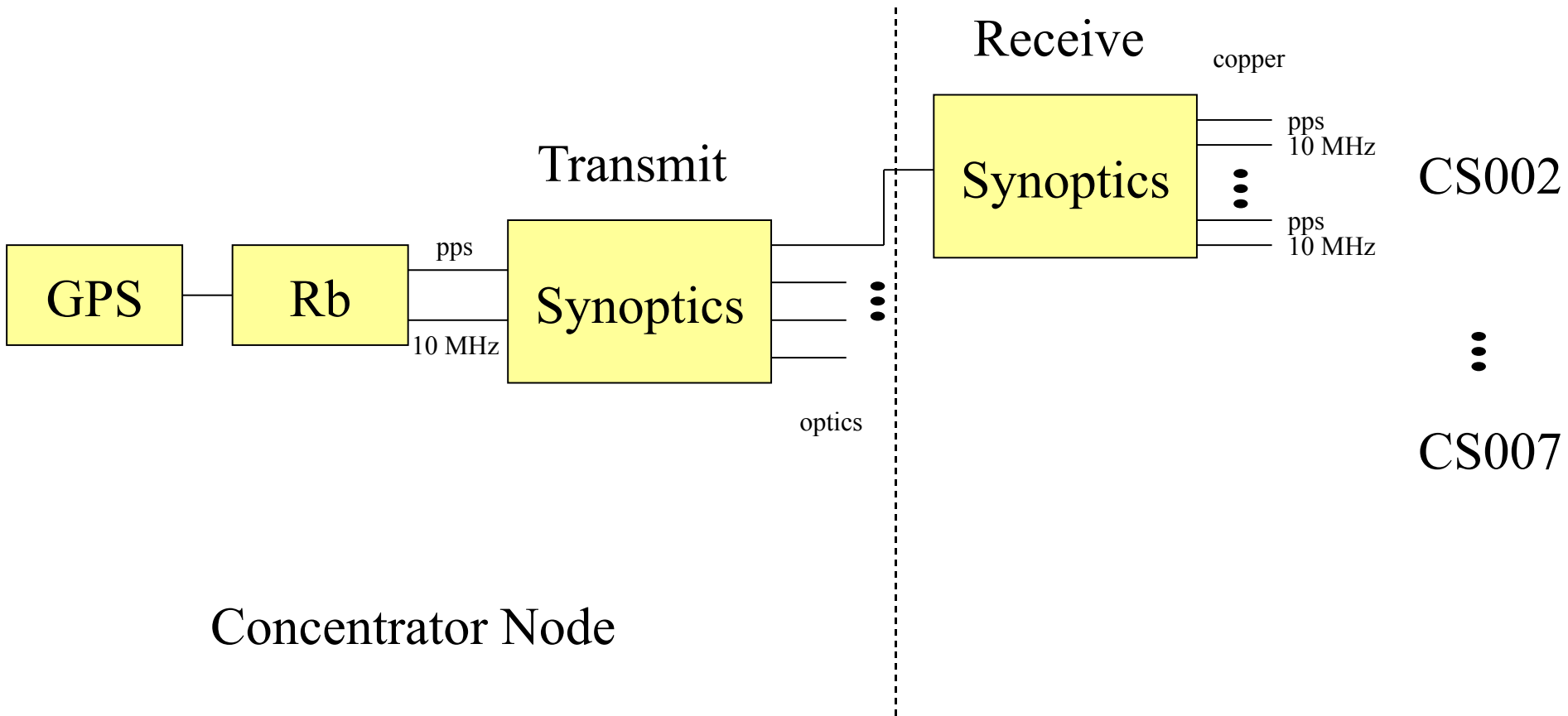




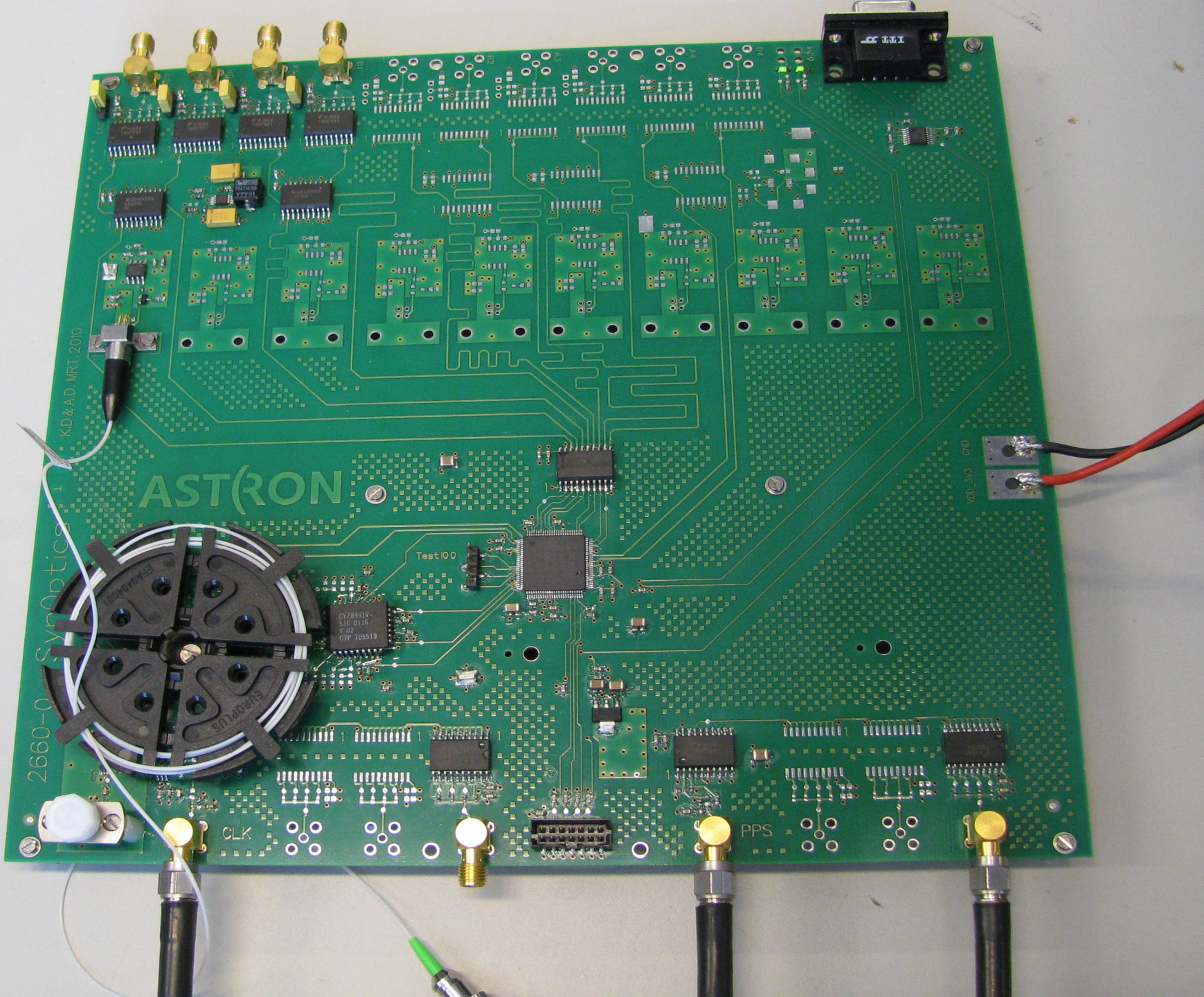












➤ BG/P stopday at 17, 18, (19) May